

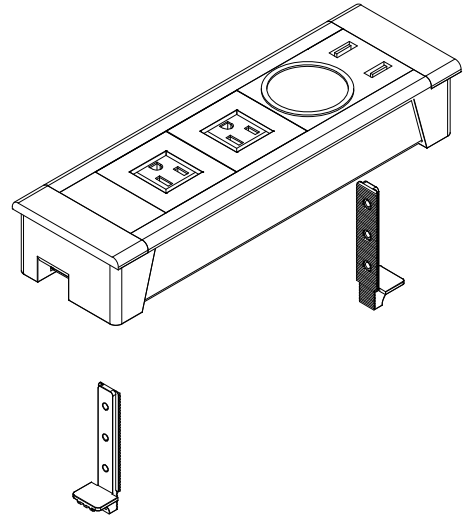
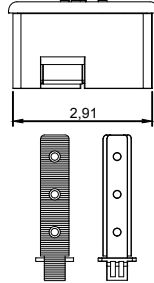
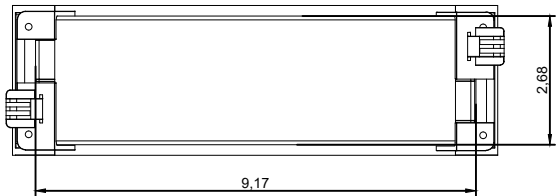
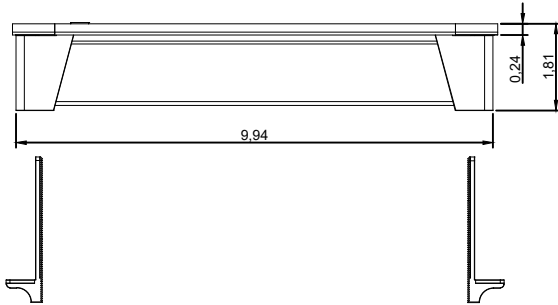
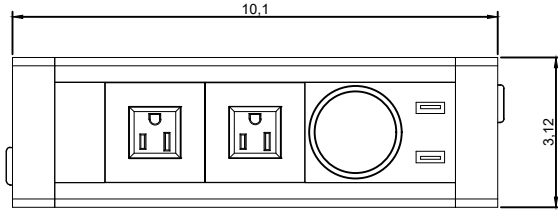
4

3

2

1

SCALE 0.25



UNLESS OTHERWISE SPECIFIED DIMENSIONS ARE IN INCHES TOLERANCES ARE: DECIMALS = 0.050 ± 0.2 ANGLES = 0.125 ± 0.030 ± 0.381 ± 0.010 DO NOT SCALE DRAWINGS		PROJECT Vault	Pulse design		DATE 04/11/2010 08:58:13 AM P:\00000000
THIRD ANGLE PROJECTION		DESCRIPTION	TITLE		
DRAWN BY		MATERIAL	ASSEMBLY		
APPROVED		APPROVALS	DATE	SITE C	PART NUMBER
		SCALE 1:1000		SHEET 1 OF 2	

4

3

2

1

CAD FILE NAME
 REV
 PART NUMBER
 SHEET 1 OF 2

4

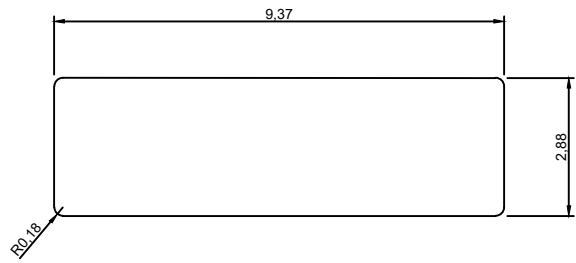
3

2

1

SCALE 0.25

Vault xxx Module Size - Surface Opening Template



D

D

C

C

B

B

A

A

4

3

2

UNLESS OTHERWISE SPECIFIED DIMENSIONS ARE IN INCHES TOLERANCES ARE: DECIMALS ANGLES ± 0.010 ± 0.5° ± 0.030 ± 0.1° ± 0.010 ± 0.1° DO NOT SCALE DRAWINGS		PROJECT Vault	Pulse <i>design</i>		DATE 04/11/2018 08:58 PM PLM:01007200
THIRD ANGLE PROJECTION		DESCRIPTION	TITLE		
DRAWN BY		MATERIAL	ASSEMBLY		
APPROVED		APPROVALS	DATE	SCALE 1:000	
		DATE	P/N C	PART NUMBER	REV. -
		SHEET 2 OF 2			

DATE PLOT: 04/11/2018 08:58 PM

PLM:01007200