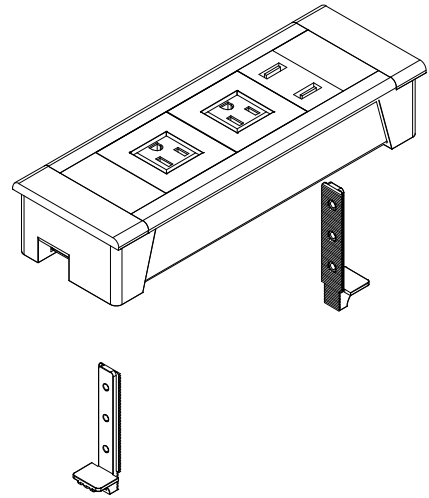


SCALE 0.25



UNLESS OTHERWISE SPECIFIED DIMENSIONS ARE IN INCHES TOLERANCES ARE: DECIMALS = 0.010 @ 0.2 @ 0.125 = 0.030 @ 1.250 = 0.010 DO NOT SCALE DRAWINGS		PROJECT Vault	Pulse <i>design</i>		DATE 04/11/2010 08:58 PM PLM:01007200
DESCRIPTION			TITLE		
MATERIAL			ASSEMBLY		
DRAWN BY			APPROVALS		
THIRD ANGLE PROJECTION			DATE		
APPROVED			SITE		
			PART NUMBER		
			SCALE 1.000		
			SHEET 1 OF 2		

FILE: C:\PDM\3D\3D_MODEL\VAULT_VAULT.DWG
 PLOT: 08/08/2010 10:58 AM

4

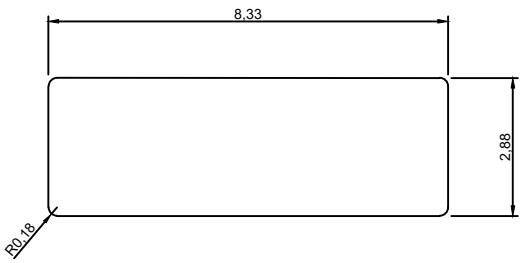
3

2

1

SCALE 0.25

Vault xxx Module Size - Surface Opening Template



UNLESS OTHERWISE SPECIFIED DIMENSIONS ARE IN INCHES TOLERANCES ARE: DECIMALS ANGLES ± 0.010 ± 0.5° ± 0.030 ± 0.2° ± 0.010 ± 0.10° DO NOT SCALE DRAWINGS		PROJECT Vault	Pulse <i>design</i>		DATE 04/11/2018 08:58 PM P:\00000000
THIRD ANGLE PROJECTION		DESCRIPTION	TITLE		
DRAWN BY		MATERIAL	ASSEMBLY		
APPROVED		APPROVALS	DATE	SCALE	1:000
PART NUMBER		SHEET 2 OF 2		REV. 1	

4

3

2

1

TOP OBJECT NAME
REV.

PAGE NUMBER REV. DATE